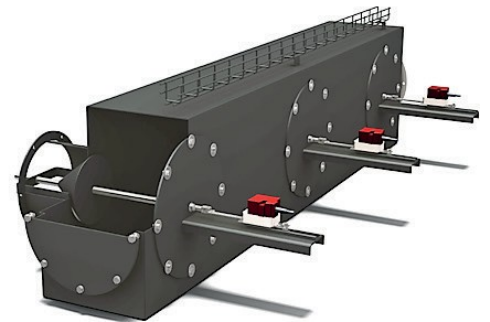
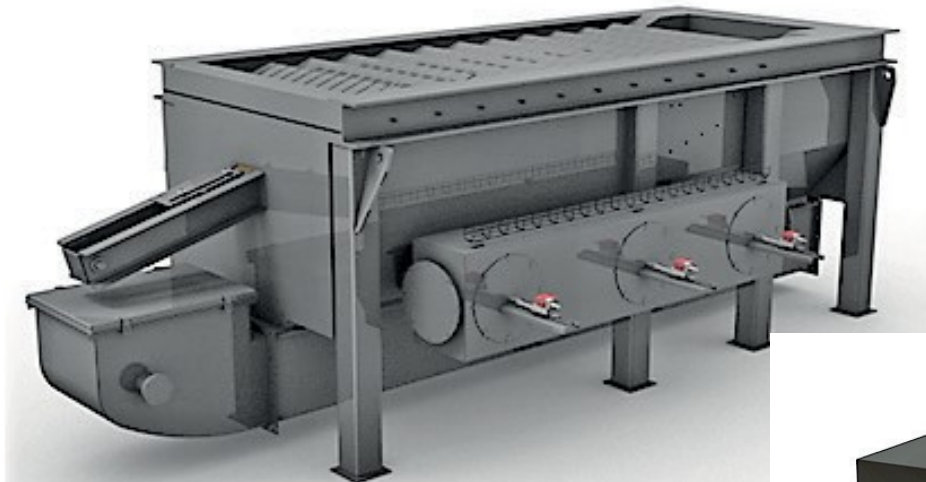


Moving grate

Moving grate is designed for a variety of dry and humid biofuels with a high ash content. It is used in combination with a boiler that can be set directly on it. The device is made of high quality materials and grate bars are made of high-temperature resistant cast steel.

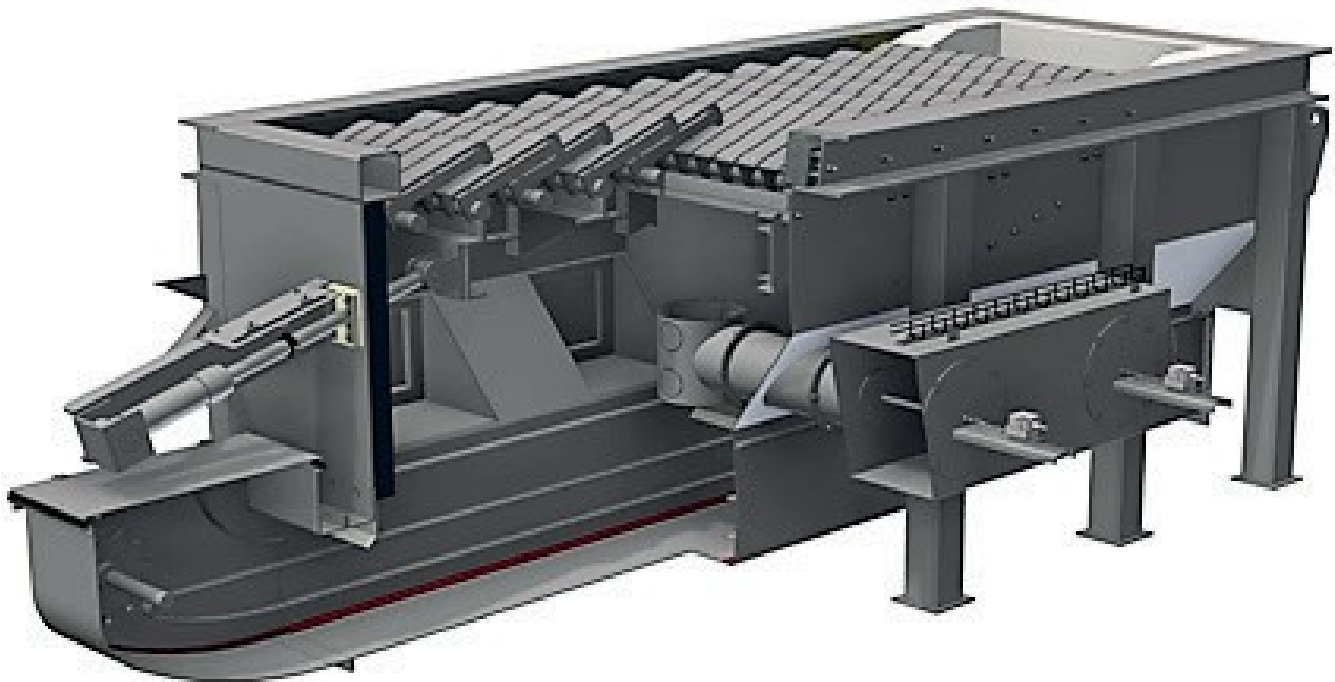
Hydraulic drive ensures even distribution of fuel, which is burnt at the optimal temperature to guarantee high performance of the grate. Technical solutions used in this construction ensure efficient drying of moisty fuel by means of thermal radiation, which eliminates the necessity of fuel drying before feeding it onto the grate. Efficient fuel combustion and low flue gas emission are achieved by using controlled air supply through nozzles placed along the whole grate.



Advantages:

- high efficiency of biomass burning process
- grate divided into controlled combustion air supply zones
- even distribution of fuel on the grate bars
- automatic ash removal system
- grate integrated with the ash conveyor

Moving grate



Technical Data - moving grate SR-H

Type	Grate bars area m ²	Ash conveyor type
I - 1.0 x 2.25	2.2	560
I - 1.0 x 2.75	2.7	560
I - 1.2 x 2.75	3.3	860
I - 1.2 x 3.75	4.5	860
I - 1.5 x 3.75	5.6	860
I - 1.7 x 3.75	6.3	860
I - 1.7 x 4.75	8.0	860
I - 2.1 x 5.75	12	860
I - 2.1 x 6.75	14.2	860
I - 2.3 x 6.25	14.4	860
I - 2.3 x 6.75	15.5	860