

## SILO TYPE RSV WITH CONICAL BOTTOM

The steel silos produced by the Runarsson company are suitable for storing of dry, dusty and fine-grained materials, such as: sawdust, shavings, woodchips, bark and wood pellet.

The maximum grain size is 13x13x13mm, the specific weight can not exceed 250kg/m<sup>3</sup>, and the friction angle is 25o.

The silo consists of horizontally twisted layers made of 3mm or 4mm metal sheet. It is protected by means of an anticorrosion coating, and then varnished.

Our silos are equipped with an inspection door placed in the upper part and a door that allows access inside the silo.

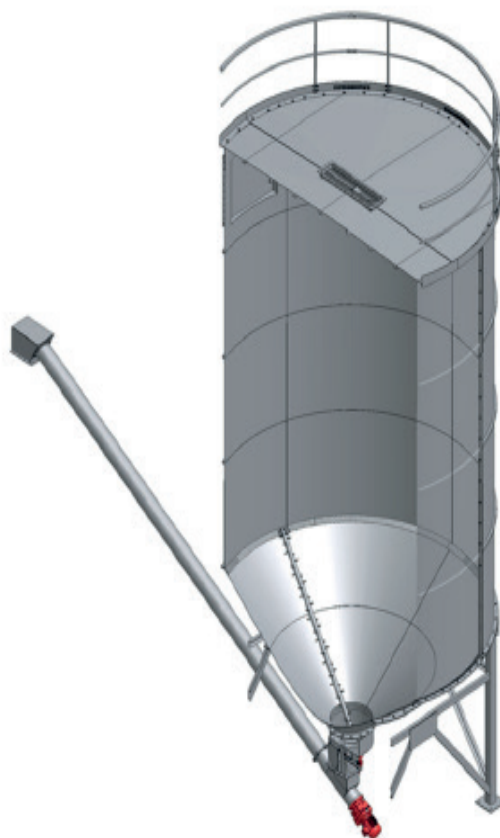
The roof with railings can be accessed via a ladder with support. The roof construction of our silos is adapted for the load of a filter, cyclone or transport system conveyors.

The fuel out-feeding takes place by means of a screw out-feeder RFF with performance of 5 – 12m<sup>3</sup>/h.



Type	Performance m <sup>3</sup> /h	Motor (KW)	Weight (kg)
RFF 3000	12	0,75	730
RFF 4000	12	0,75	985

## SILO TYPE RSV WITH CONICAL BOTTOM



### Technical data

Type	Length mm	Height mm	Capacity m <sup>3</sup>	Weight kg
RSV-62	4000	4500	62	3940
RSV-70	4000	5000	70	4090
RSV- 80	4000	6000	80	4460
RSV-100	4000	7500	100	5120
RSV-119	4000	9000	119	5860